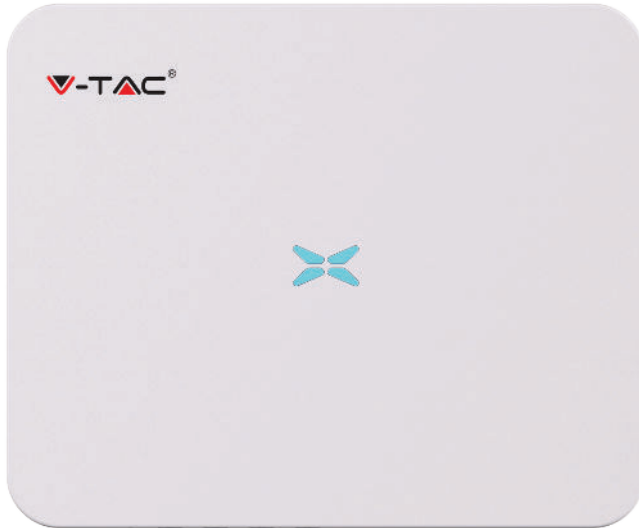




WEEE Number: 80133970

INSTRUCTION MANUAL

SOLAR INVERTER



INTRODUCTION

Thank you for selecting and buying V-TAC Product. V-TAC will serve you the best. Please read these instructions carefully & keep this user manual handy for future reference. If you have any another query, please contact our dealer or local vendor from whom you have purchased the product. They are trained and ready to serve you at the best.



Multi-Language Manual QR CODE

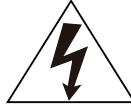
Please scan the QR code to access the manual in multiple languages.

WARNING

1. Please make sure to turn off the power before starting the installation.
2. Installation must be performed by a qualified electrician.
3. Proper grounding should be ensured throughout the installation.



This marking indicates that this product should not be disposed of with other household wastes.

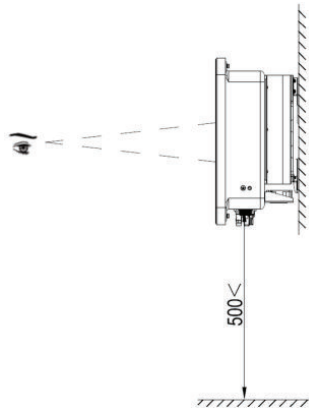


Caution, risk of electric shock.

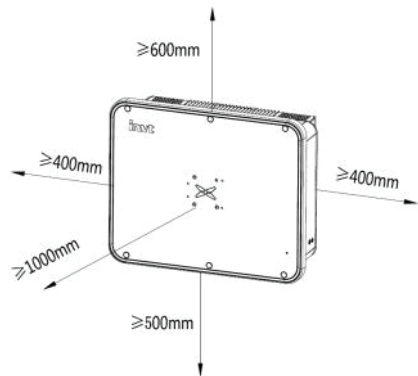


INSTALLATION DISTANCE AND LOCATION

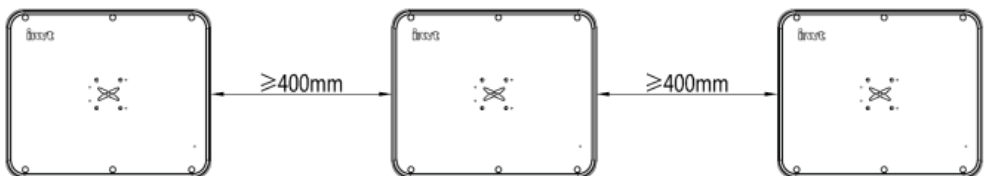
1. The installation position height shall ensure that the line of sight is on the same horizontal plane as the LED display lamp, this is easy for people to inspect the inverter status.



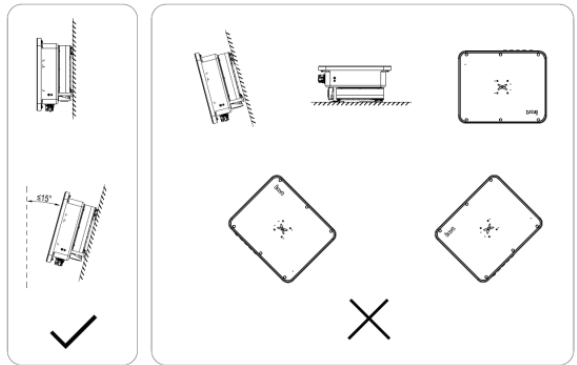
2. There is enough reserved space around the installation site to facilitate the disassembly and assembly of the inverter and air convection.



3. When installing multiple inverters, it is necessary to reserve a certain space between the inverters, the left and right space is as follows, and at the same time, the upper and lower parts of the inverter need to leave a sufficient distance in order to ensure that it dissipates heat well.

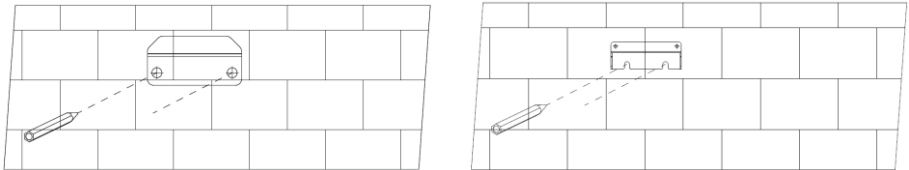


4. The mounting surface should be perpendicular to the horizontal line as shown in the figure below. Please install the inverter vertically or tilted back $\leq 15^\circ$ to facilitate the heat dissipation of the machine. Do not tilt the inverter forward, horizontally, upside down, lean back too much, or install it sideways.

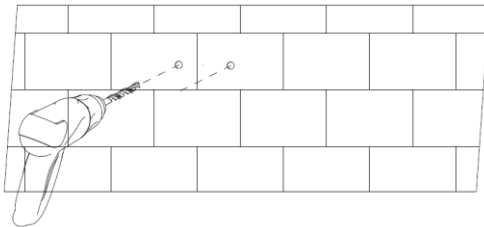


INVERTER INSTALLATION

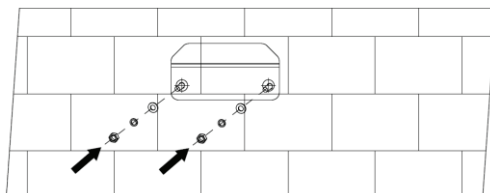
1. Place the hanging plate at the wall installation point, adjust the angle with a horizontal ruler, and mark with a marker pen



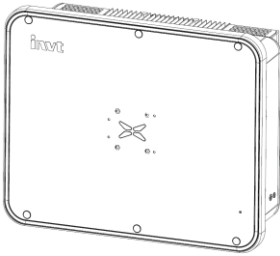
2. Punch holes with a impact drill and install expansion bolts. The user needs to prepare the expansion bolt by himself, and it is recommended to use M8 x 60 stainless steel explosion expansion bolt.



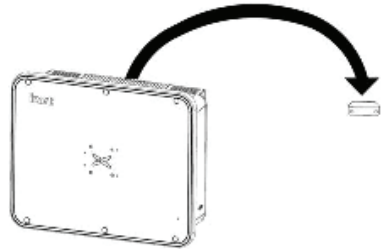
3. Fixed hanging plate. Clean the hole, impact the expansion bolt into the hole with a rubber hammer, use a wrench to tighten the nut to fix the tail of the bolt, then remove the nut, spring pad and flat pad, and then lock the wall hanging plate fixation to the wall surface, with the tightening torque of 13Nm.



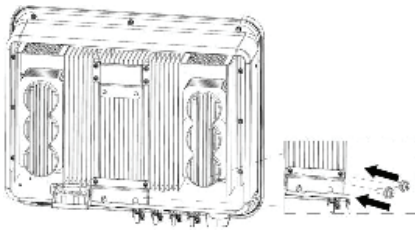
4. Take out the inverter from the packaging box. If the installation position is high, transport the inverter to the destination while ensuring safety.



5. After lifting the inverter, fasten the back bracket plate of the inverter into the wall hanging plate, and ensure that the inverter bracket plate is well matched with the hanging plate groove.



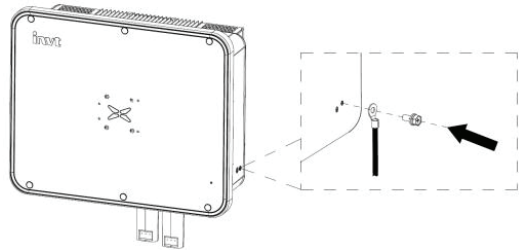
6. After the inverter is stably hung on the wall mount, fix the bottom screws.



WIRING CONNECTION

Connect the protection ground wire

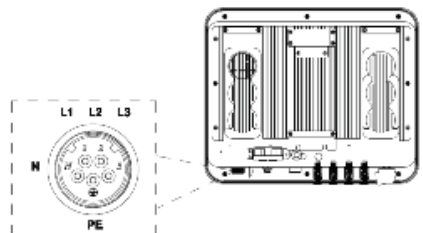
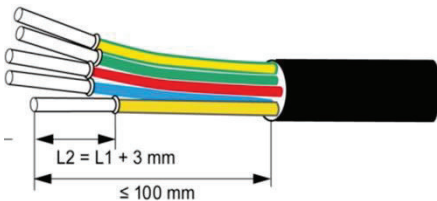
1. Crimp OT terminal to ground. Remove the screw in the ground position on the side of the chassis, fasten the ground wire by the screw, and the tighten torque is 7-9m.



Grid terminal connection

1. Connect the four wires L1, L2, L3, and N of the three-phase public power grid to the AC terminal, connect the ground wire to the grounding point outside the chassis, and ensure that the conductors of the wires are not exposed and crimped firmly.

2. Tighten L1, L2, L3, and N of the crimped terminals with a torque of 7-9N·m, and the grounding torque of PE on the outside of the chassis is 7-9N·m; then tighten the AC waterproof cap.



PV Wiring

1. Connect the outgoing cable of the PV panel to the MC4 terminal delivered with the inverter
2. Check the polarity of the PV strings, and then connect it to the inverter.

Communication connection

1. 485 pin definition

1 (RED)	5VDC
2 (ORANGE)	A (RS 485 +)
3 (BROWN)	B (RS 485 -)
4 (BLACK)	GND

2. Communication options

COMMUNICATION OPTION	INVERTER INTERFACE	UPPER COMPUTER INTERFACE
ETHERNET CONVERTER	RS 485-1	RJ45 PLUG
WIFI CONVERTER	RS 485-1	WIRELESS WIFI SIGNAL
GPRS CONVERTER	RS 485-1	WIRELESS GPRS SIGNAL
ENET CONVERTER	RS 485-1	NETWORK PORT

Check before operation

- (1) Turn on the AC side circuit breaker of the grid;
- (2) Turn on the DC switch of the inverter;
- (3) Turn on the switch on the DC input side of the PV string;
- (4) Observe the status of the inverter's LED lights or the information displayed on the LCD screen
- (5) Wait for the inverter to connect to the grid successfully.

Regular maintenance

When power failure maintenance, overhaul, troubleshooting of the inverter is required, please stop the inverter strictly as follows:

- (1) Switch off the breakers at the AC side;
 - (2) Switch off the integrated DC switch;
 - (3) Contact with customer service staff or local dealers.
-